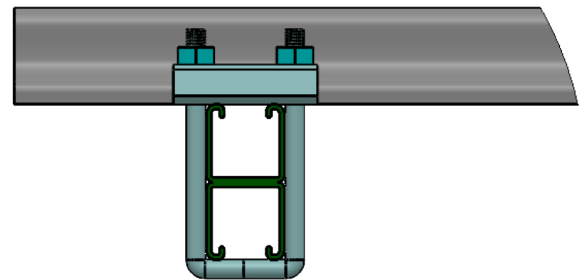
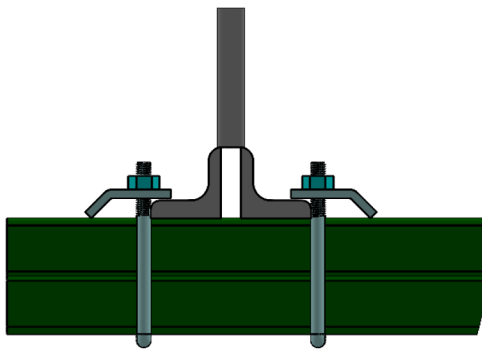


DETAIL A
SCALE 1 : 4



DETAIL B
SCALE 1 : 4

STANDARD DETAILS ARE FOR REFERENCE AND DESIGN PURPOSES ONLY, AND ARE NOT INTENDED FOR USE AS FULLY ENGINEERED SYSTEMS. ENGINEERED SYSTEMS MUST TAKE INTO ACCOUNT ACTUAL SITE CONDITIONS (SUCH AS: LOAD, ELEVATION, SIZE, SPACING, BUILDING STRUCTURE, EXISTING MEP STRUCTURES, ETC.) AND BE PURCHASED THROUGH UNISTRUT BUFFALO SUPPORTS, A DIVISION OF EBERL IRON WORKS, INC. 128 SYCAMORE STREET, BUFFALO, NEW YORK 14204. CONTACT UNISTRUT BUFFALO SUPPORTS: 1 (800) 285-3056 UNISTRUTSTORE.COM/REQUEST-QUOTE FOR A CUSTOM QUOTE TAILORED TO YOUR JOBSITE/PROJECT.

PHONE: (716) 854-7633

FAX: (716) 854-1184

WEBSITE: unistrutstore.com

EMAIL: unistrut@eberliron.com



Unistrut Buffalo Supports