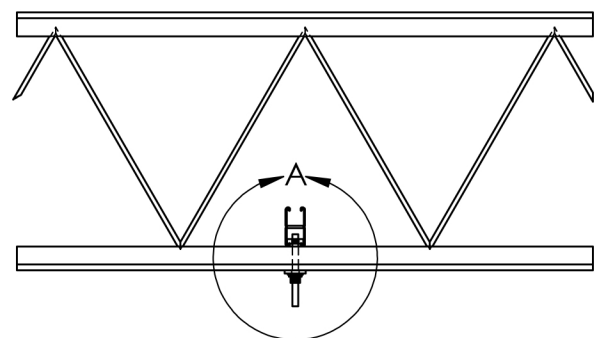
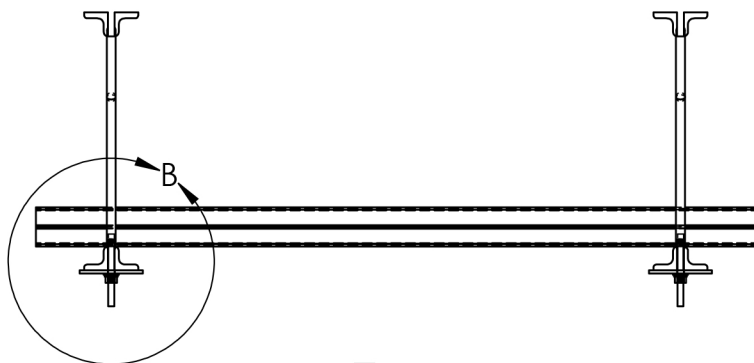
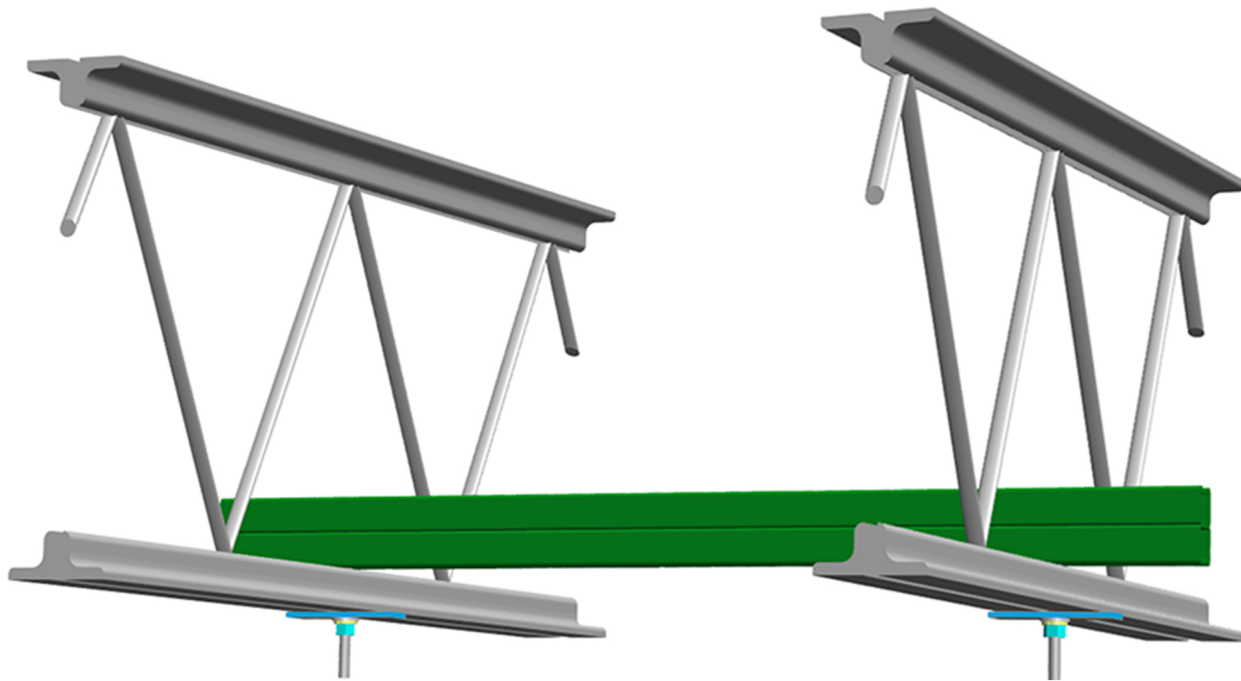
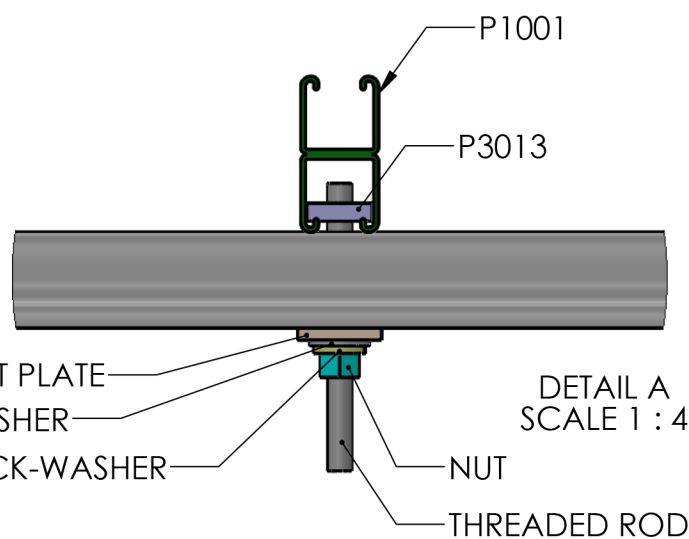
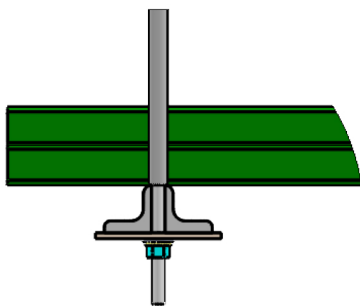


UBS-JOIST-ROD



DETAIL B
SCALE 1 : 8



DETAIL A
SCALE 1 : 4

P1001
 P3013
 FLAT PLATE
 WASHER
 LOCK-WASHER
 NUT
 THREADED ROD

STANDARD DETAILS ARE FOR REFERENCE AND DESIGN PURPOSES ONLY, AND ARE NOT INTENDED FOR USE AS FULLY ENGINEERED SYSTEMS. ENGINEERED SYSTEMS MUST TAKE INTO ACCOUNT ACTUAL SITE CONDITIONS (SUCH AS: LOAD, ELEVATION, SIZE, SPACING, BUILDING STRUCTURE, EXISTING MEP STRUCTURES, ETC.) AND BE PURCHASED THROUGH UNISTRUT BUFFALO SUPPORTS, A DIVISION OF EBERL IRON WORKS, INC. 128 SYCAMORE STREET, BUFFALO, NEW YORK 14204. CONTACT UNISTRUT BUFFALO SUPPORTS: 1 (800) 285-3056 UNISTRUTSTORE.COM/REQUEST-QUOTE FOR A CUSTOM QUOTE TAILORED TO YOUR JOBSITE/PROJECT.

PHONE: (716) 854-7633

FAX: (716) 854-1184

WEBSITE: unistrutstore.com

EMAIL: UNISTRUT@eberliron.com



Unistrut Buffalo Supports